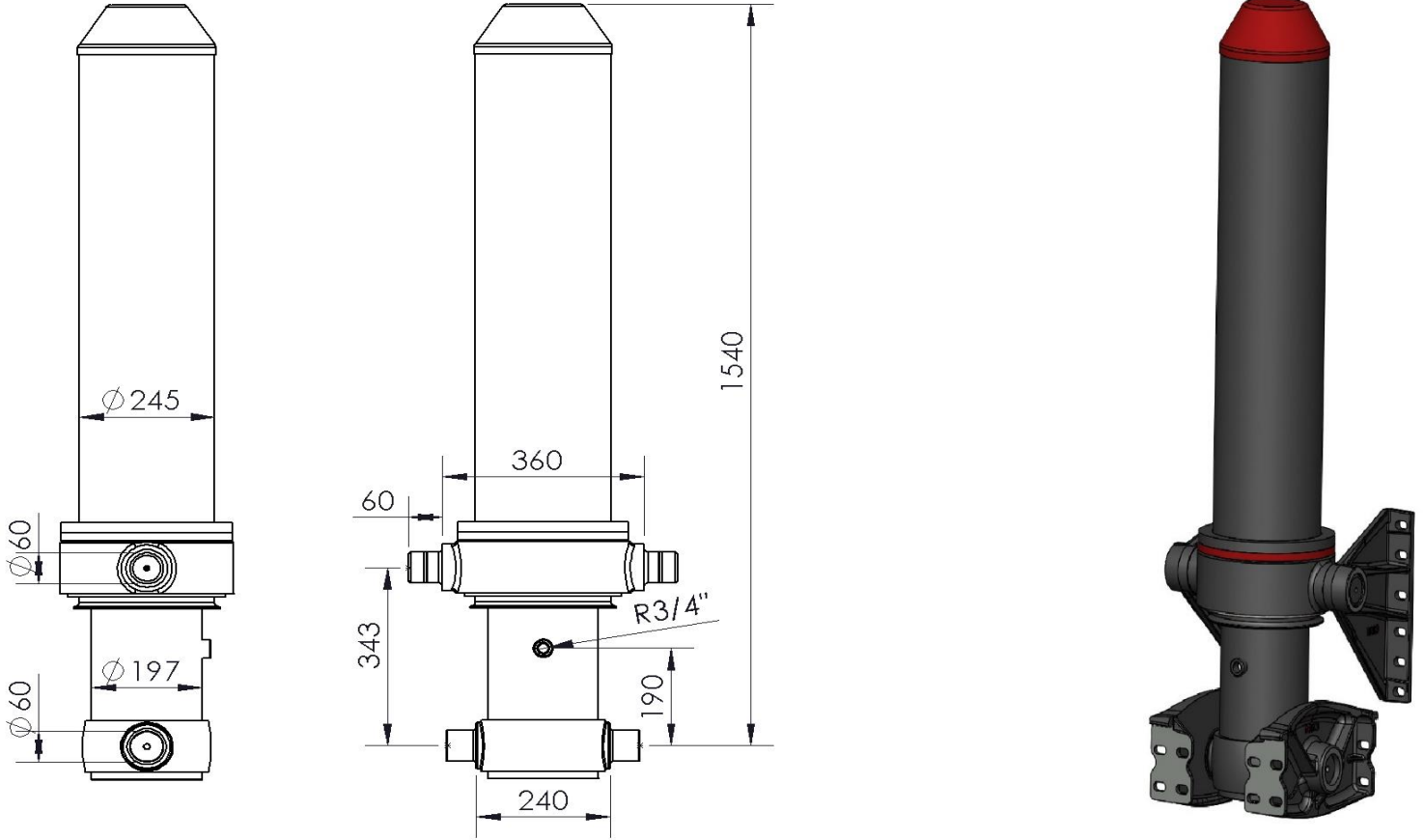
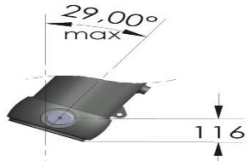


SINGLE ACTING FRONT END CYLINDER

HYD 175-5-6050 H



TECHNICAL SPECIFICATIONS



Working volume [lts]	103
Max.Working Pressure[bar]	250
Weight(cylinder)[kgs]	316
Min-Max.Cylinder Capacity [to]	50-60

Stage no	1	2	3	4	5	Total stroke
Ø Stage [mm]	Ø175	Ø154,5	Ø135	Ø116	Ø98	
Stroke [mm]	1210	1210	1210	1210	1210	6050

This cylinder is used to lift up dampers that is loaded different materials,loads must be centerised.

Cylinders should not be used as a main structural purposes be subject to side loads.

Cylinder should be mounted regarding to the instruction that are shown in technical design with working angle description.

Cylinder shouldnot have more than 29 degree angels to return backside.

Cylinder is a cold drawn,seamless tubes which is ST52,E355,DIN2391 BK+S,E10305-2 standart.

Each stage tubes that is chrome coated with 20 micron,should be protected against the paints and chemicals.

Working temperature is between -40 C and 100 C

Painted by qualified acrylic materials.

Load capacity described by technical specifications.

Warranty is valid under the working principles and technical specification.

HYD OTOMOTİV LTD.ŞTİ.

1.Organize Sanayi Bölgesi Budaközü Sokak 16/B ( KONYA) TURKEY

Tel +90 332 251 06 00-Fax +90 332 251 06 00

info@hydotomotiv.com.tr - www.hydotomotiv.com.tr