

TECHNICAL SPECIFICATIONS

Working volume [Its]	45
Max.Working Pressure[bar]	250
Weight(cylinder)[kgs]	147
Min-Max.Cylinder Capacity [to]	32-45

Stage no	1	2	3	4	5	Total stroke
Ø Stage [mm]	Ø135	Ø116	Ø98			
Stroke [mm]	1285	1285	1285			3855

This cylinder is used to lift up dampers that is loaded different materials, loads must be centered.

Cylinders should not be used as a main structural purposes be subject to side loads.

Cylinder should be mounted regarding to the instruction that are shown in technical design with working angle description.

Cylinder should not have more than 29 degree angles to return backside.

Cylinder is a cold drawn, seamless tubes which is ST52, E355, DIN2391 BK+S, E10305-2 standarts.

Each stage tubes that is chrome coated with 20 micron, should be protected against the paints and chemicals.

Working temperature is between -40 C and 100 C

Painted by qualified acrylic materials.

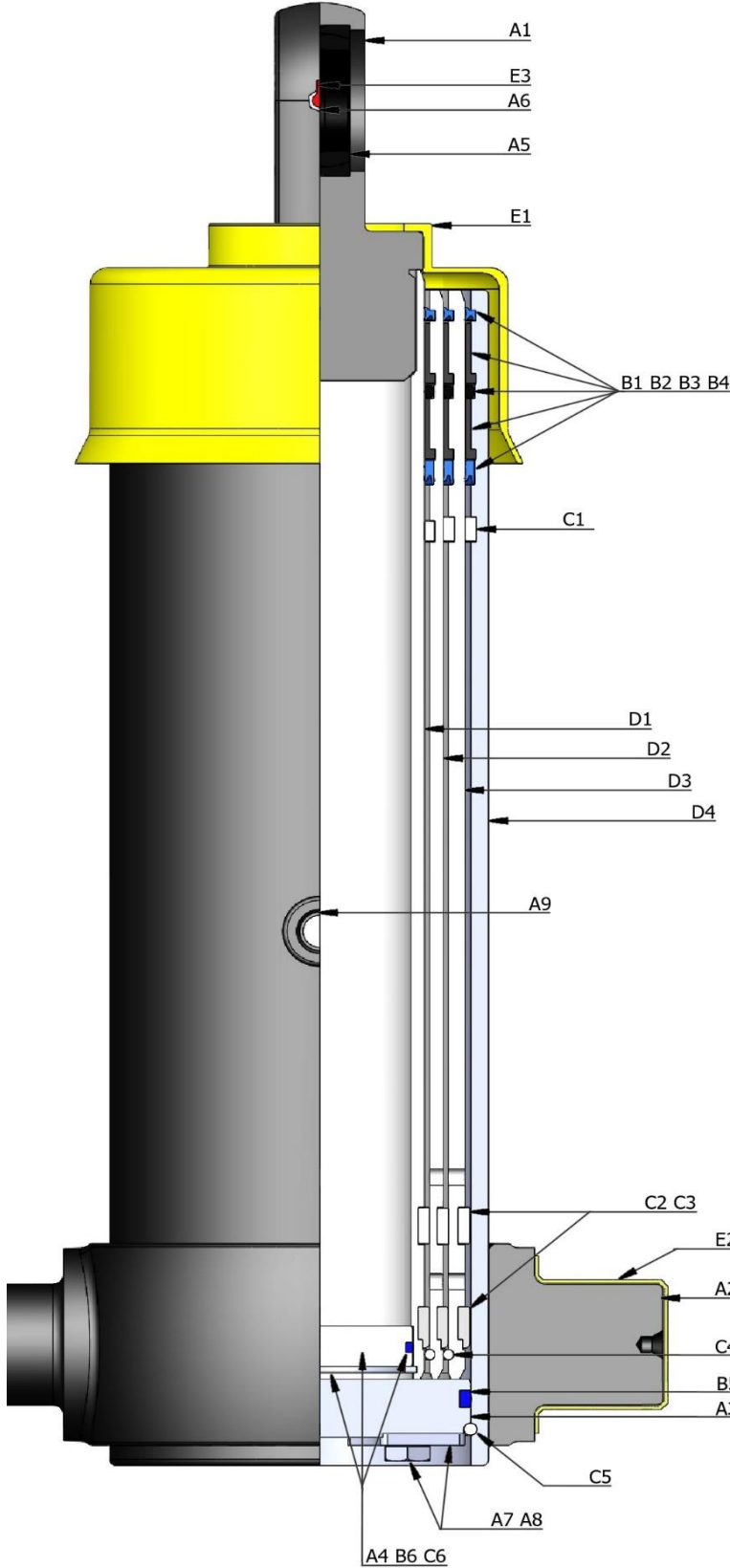
Load capacity described by technical specifications.

Warranty is valid under the working principles and technical specification.

1. Organize Sanayi Bölgesi Budaközü Sokak 16/B (KONYA) TURKEY

Tel +90 332 251 06 00-Fax +90 332 251 06 00

info@hydrotomotiv.com.tr - www.hydrotomotiv.com.tr



Pos.	Description
------	-------------

A1	PISTON EYE
A2	STELL CONNECTION
A3	PULLER CAP
A4	LAST STAGE BOTTOM CAP
A5	Ø50 SPHERICAL BEARING
A6	M8X1 GREASER
A7	M10 WASHER
A8	M10x20 SCREW
A9	1" OIL INLET

B1	DUST FELT
B2	CUSHIONING
B3	O-RING
B4	NUTRING
B5	FELT COVER
B6	FELT COVER

C1	SFERO CIRCLIP
C2	SFERO CIRCLIP
C3	SFERO CIRCLIP
C4	WIRE CIRCLIP
C5	WIRE CIRCLIP
C6	CIRCLIP

D1	Ø98 STAGE
D2	Ø116 STAGE
D3	Ø135 STAGE
D4	Ø 157 BODY

E1	DUST PROTECTION CAP
E2	PROTECTION CAP
E3	GREASER PROTECTION CAP